



pod  
bar



POD BAR - WINE PRESERVATION, STORAGE & DISPLAY



**MODEL**

**BC401** Pod Bar

Incorporating Le Verre de Vin  
Wine Pod - Still wine  
Lighting option - White



**MODEL**

**BC404** Twin Pod

Incorporating Le Verre de Vin  
Wine Pod - Still wine & Champagne  
Lighting option - Blue



**MODEL**

**BC406** Quad Pod

incorporating Le Verre de Vin  
Wine Pod - Still wine & Champagne  
Lighting option - White

# Pod Bar

## Wine Preservation, Temperature Control, Storage & Display

The 'Pod Bar' provides single or twin temperature control, storage and display in one attractive unit

### Featuring

- Integral Le Verre de Vin wine preservation technology.
- Digitally controlled temperature chamber(s) each with a maximum capacity of 12 standard 75cl bottles.
- Full width double glazed door(s).
- Compressor refrigeration technology with a range from 4 to 18°C.
- Integral water evaporator.
- Economical LED lighting.
- Optional coloured LED lighting.
- Variety of internal display options.
- Modular design.
- Lockable door(s)

As standard, these cabinets are fitted with Le Verre de Vin Wine Pod still wine & Champagne preservation technology. Please refer to the Le Verre de Vin product pages for further information.

The **Pod Bar** features a pinpoint digitally temperature controlled chamber for either white or red wines with a capacity of 12 75cl bottles.

The **Twin Pod** features two pinpoint digitally controlled temperature chambers, each of which can be set to provide perfect storage temperatures for either white or red wines. Each chamber has a capacity of 12 75cl bottles.

The **Quad Pod**: as above with the addition of two further digitally controlled temperature chambers. Providing four separate temperature zones.

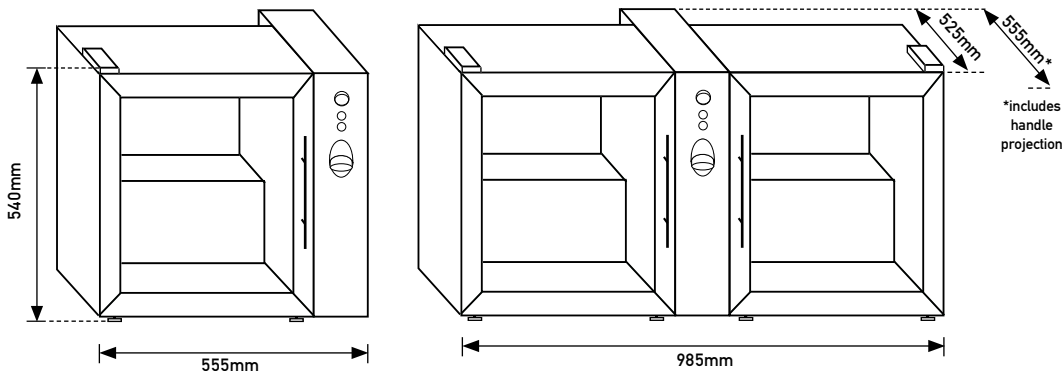
Designed for counter top mounting, these cabinets showcase your wines beautifully and allow easy access to your 'by the glass' selection.

### Further Info & Sales

For further information or to place an order please contact our Sales Department:

T: 01473 612062

E: [info@bermar.co.uk](mailto:info@bermar.co.uk)



Quad Pod Dimensions: W: 985mm x D: 555mm (to handle) x H: 1055mm

### Supply Includes

Initial supply of 20 still wine stoppers, user instructions, 12 months warranty, cable and all necessary fixings.

Note: systems supplied with a dual Le Verre de Vin Wine Pod system will also be supplied with 3 Champagne stoppers, pre-set CO2 regulator\* and CO2 hose.

(\*UK only)

### Electrical

- Power supply: 110 or 220 volts ( $\pm 10\%$ ) fixed.
- Power consumption 0.52kwh/24h (max).
- Fusing: built in 'slow-blow' safety fuse to Le Verre de Vin Wine Pod. Plug top fused (market dependent).

### Weight

- BC401 & BC402:  
Packaged 37kg
- BC403 & BC404  
Packaged 60kg
- BC405 & BC406  
Packaged 106kg

### Performance

- Maximum 1775.28 BTU's.
- Capacity: 12 standard 75cl bottles.
- Digitally selected temperature control: 4 °C to 18 °C (40 °F to 64 °F).

### Siting

- Bar top, table top or shelf mounting. Do not enclose or shroud the unit.

The Le Verre de Vin Wine Pod is pre-set to operate in locations at an altitude of 0-500m (1650') above sea level. For locations above this altitude, refer to distributor.

### Finish

Both the Pod Bar and Twin Pod Bar have a black cabinet with stainless steel doors and stainless steel door handle.

### Technical Service Contact

For further technical information please contact our Technical Services Department:

T: 01473 612062

E: [technicalservices@bermar.co.uk](mailto:technicalservices@bermar.co.uk)

# Internal Option 2: Standing Display



## Features:

- Capacity of 12 standard 75cl bottles per chamber (4 standing front row, 4 standing back row and 4 stored horizontally on shelf).
- Ideal for an 'in-service' front row with back-up bottles stored behind.

